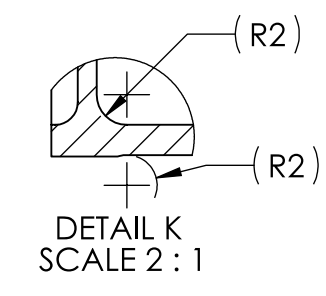
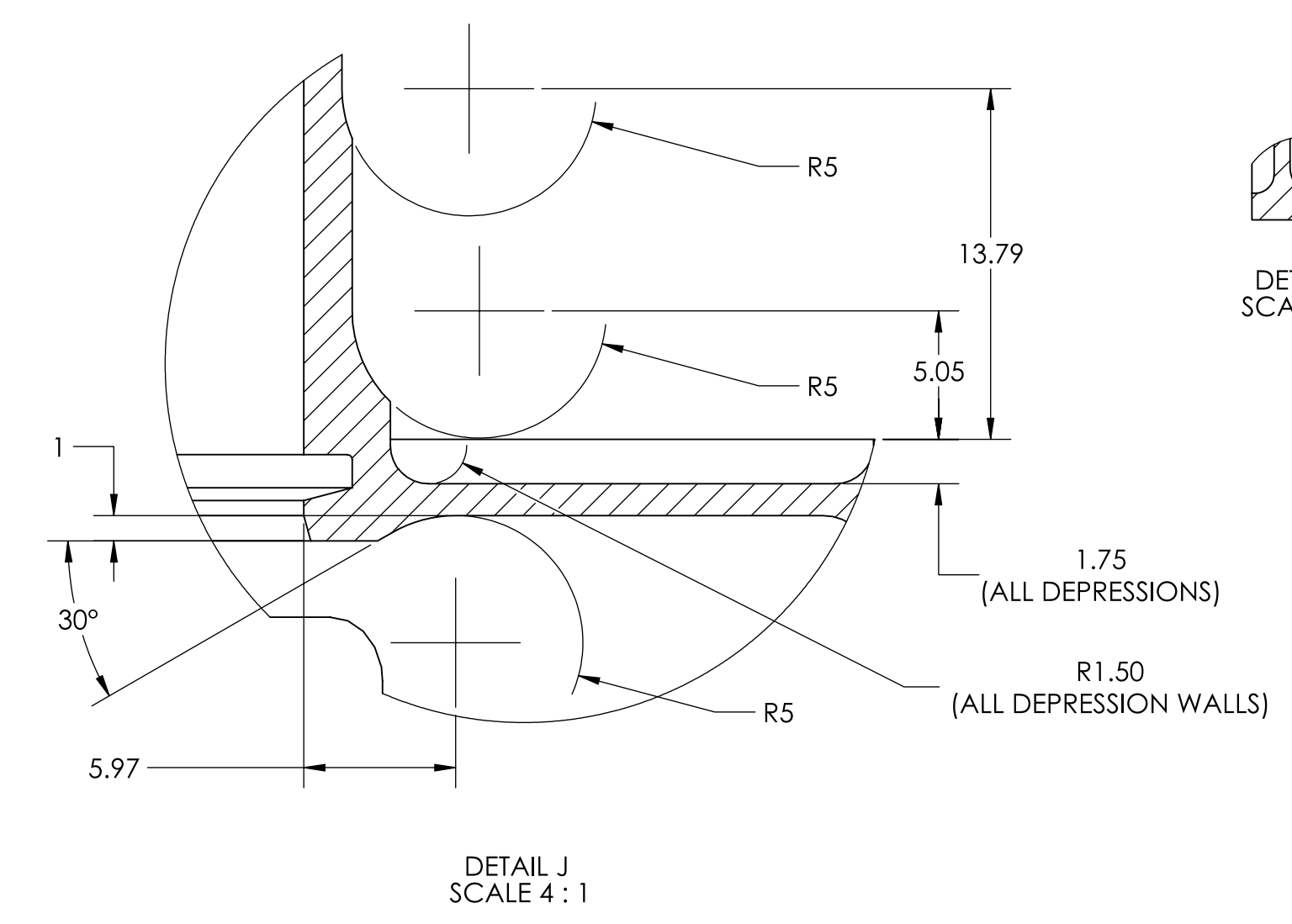
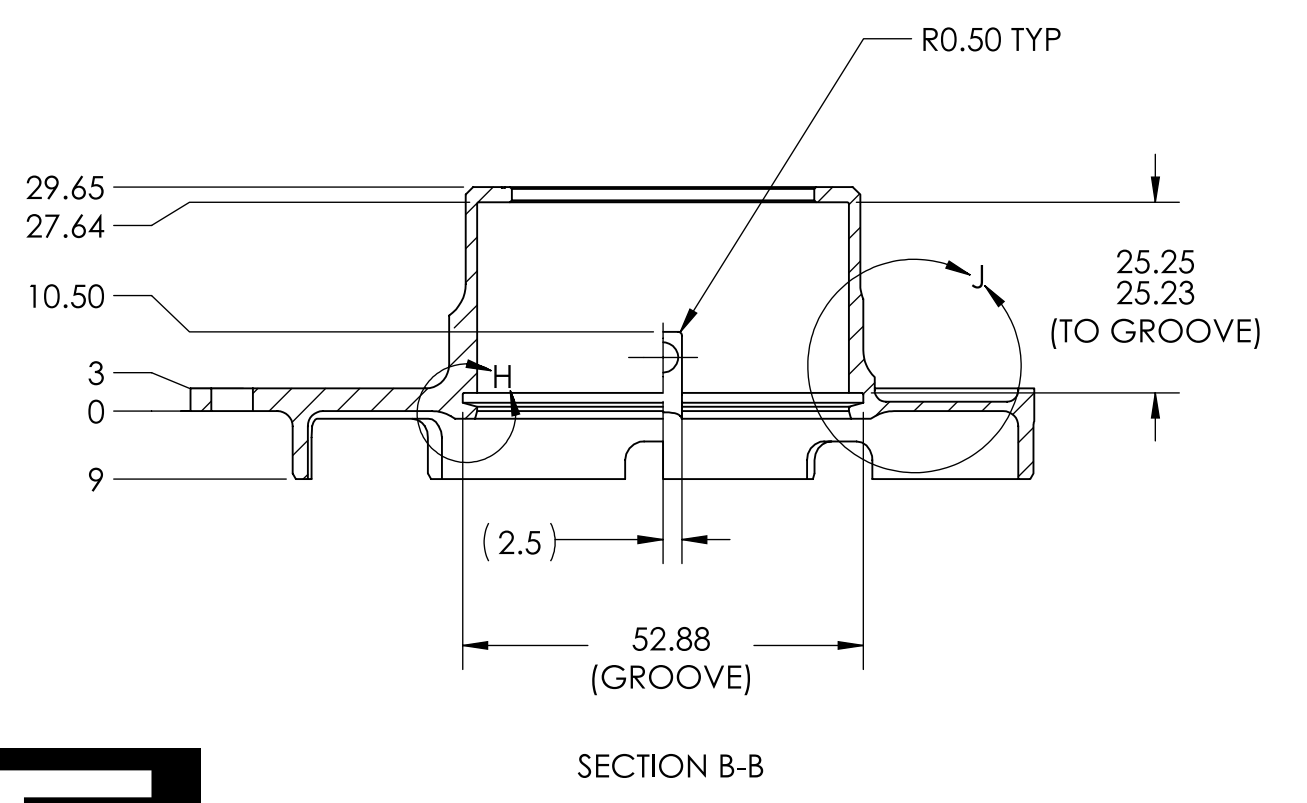
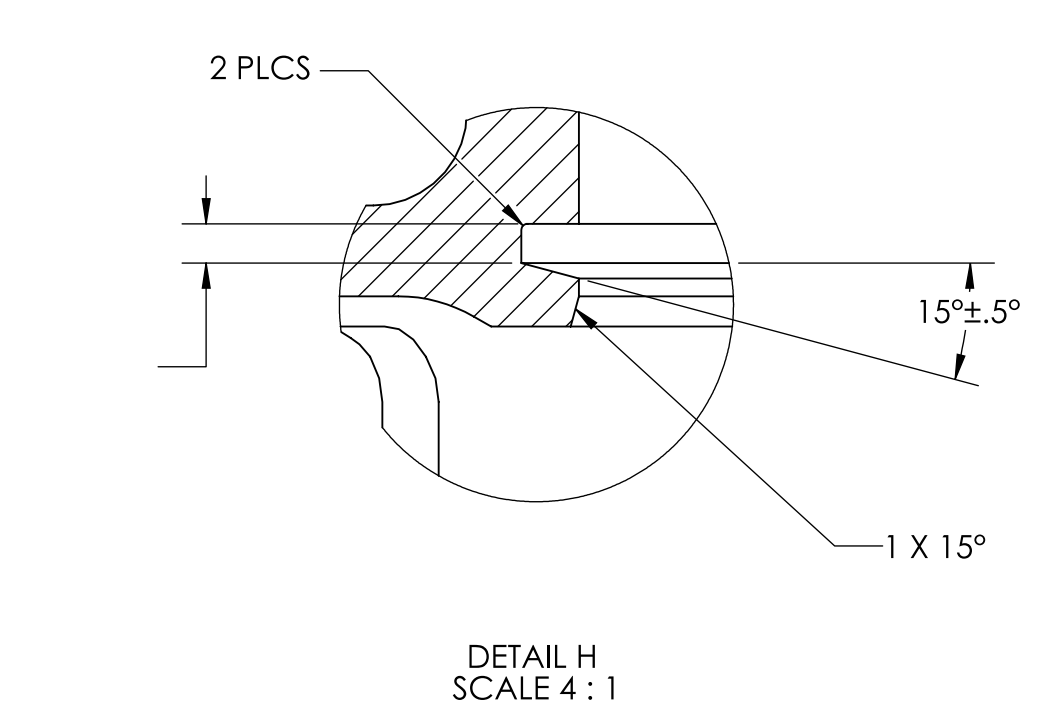
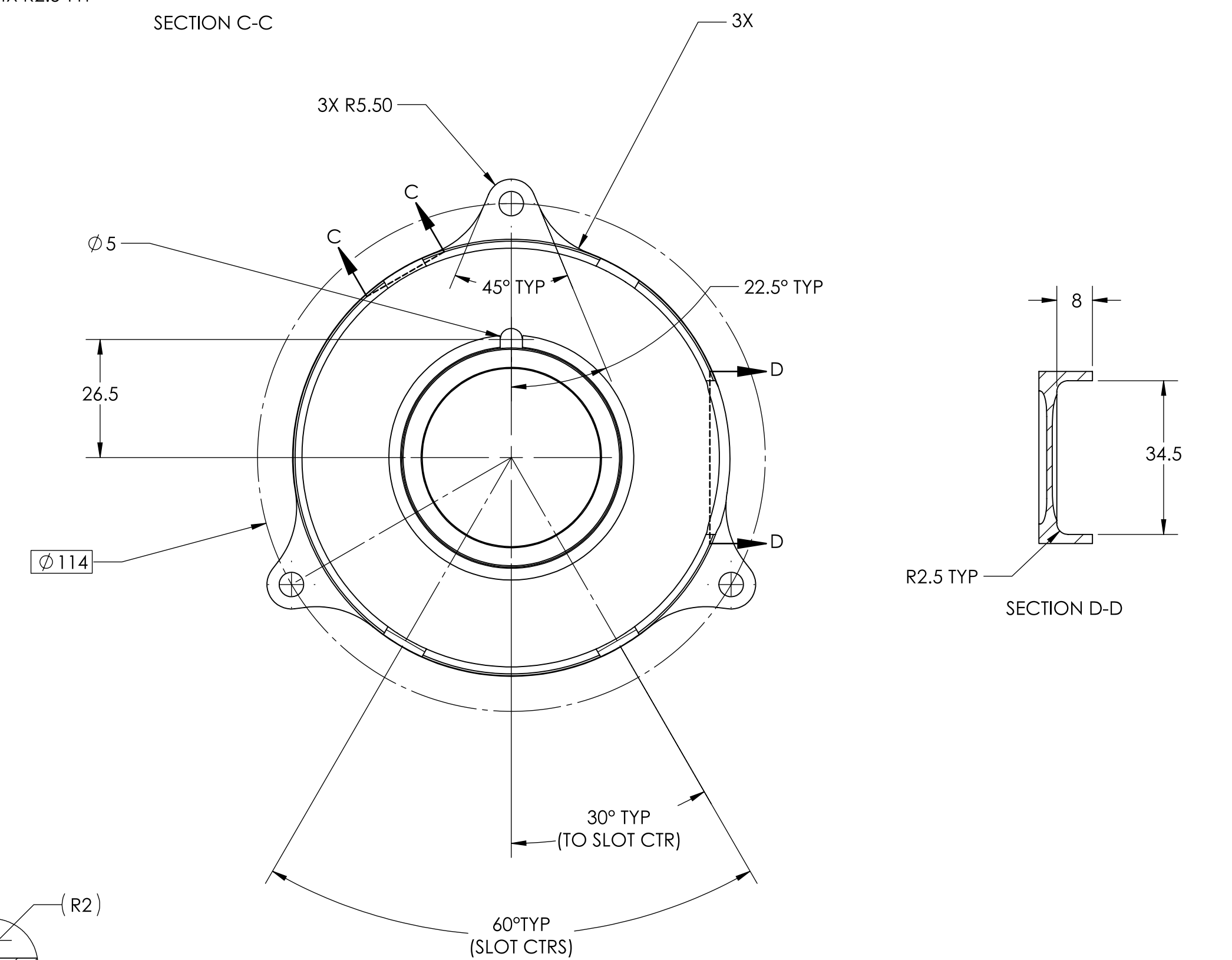
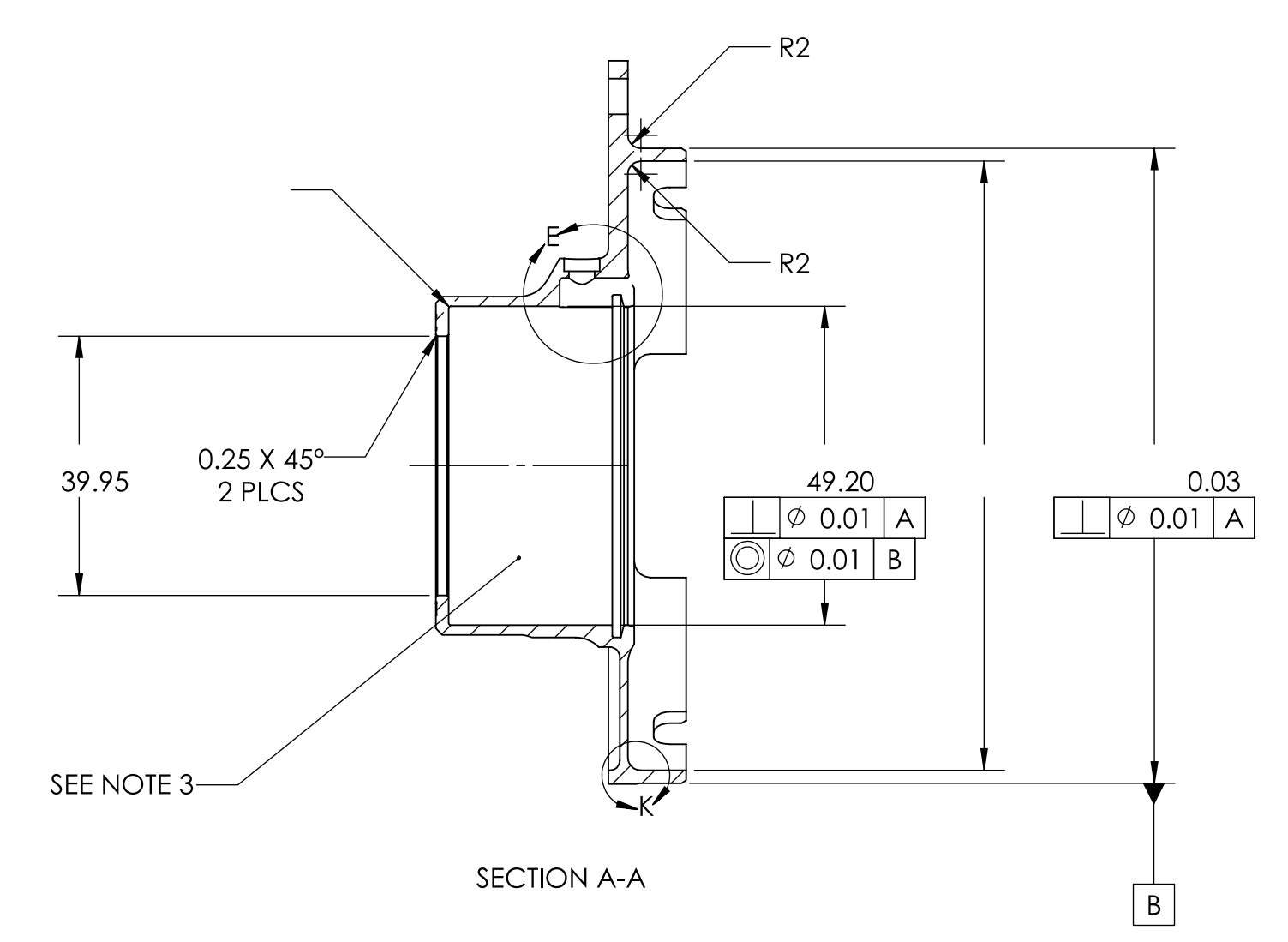
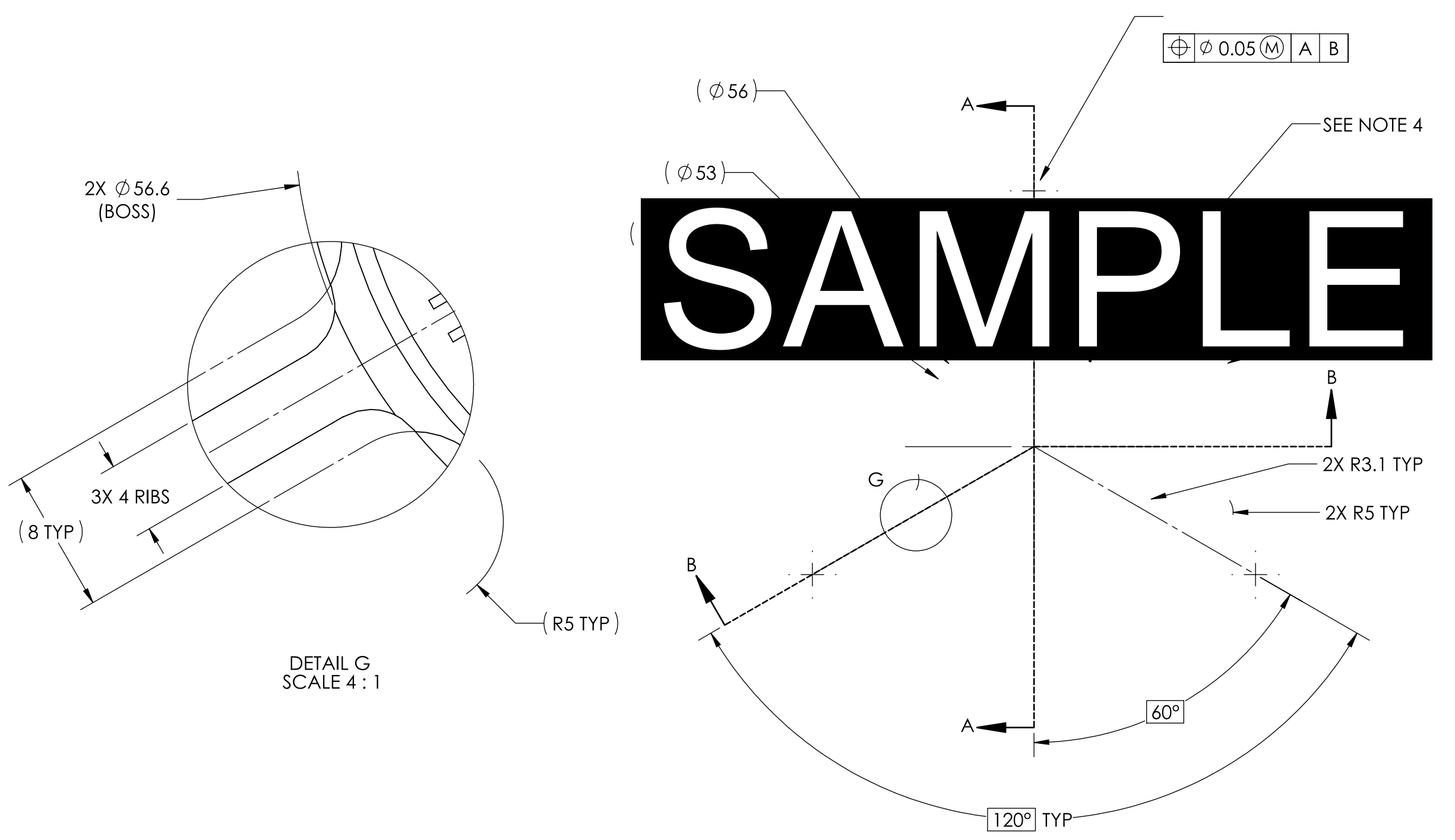
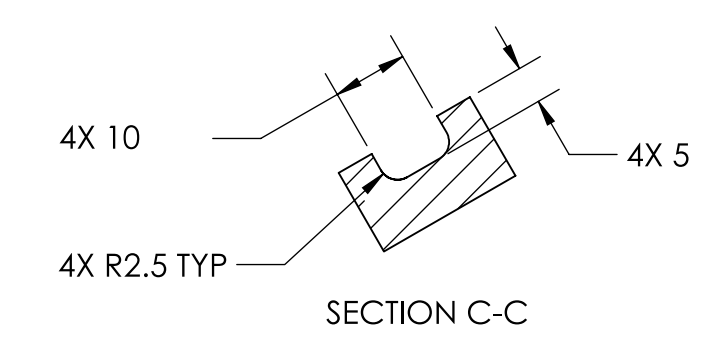
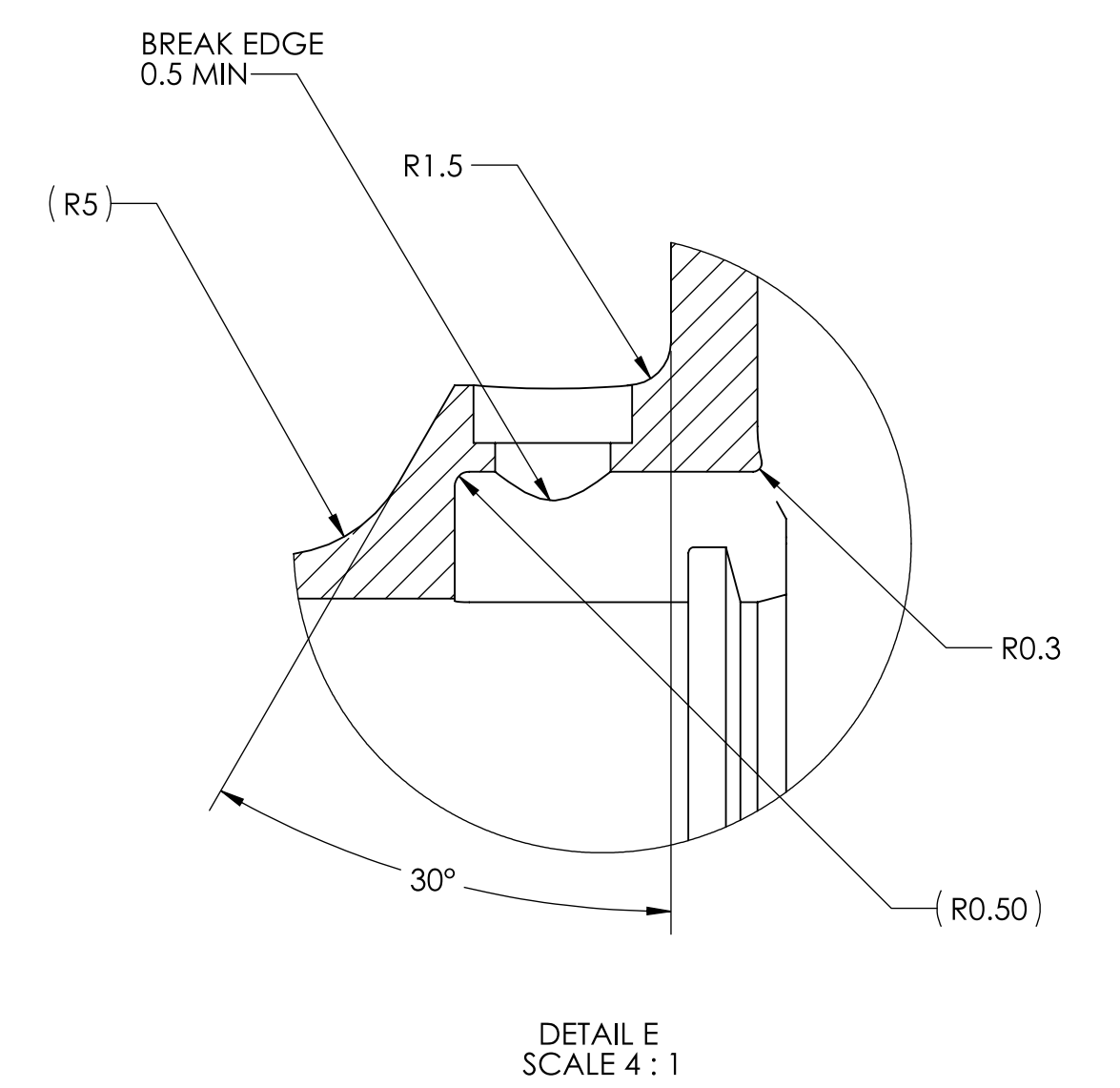
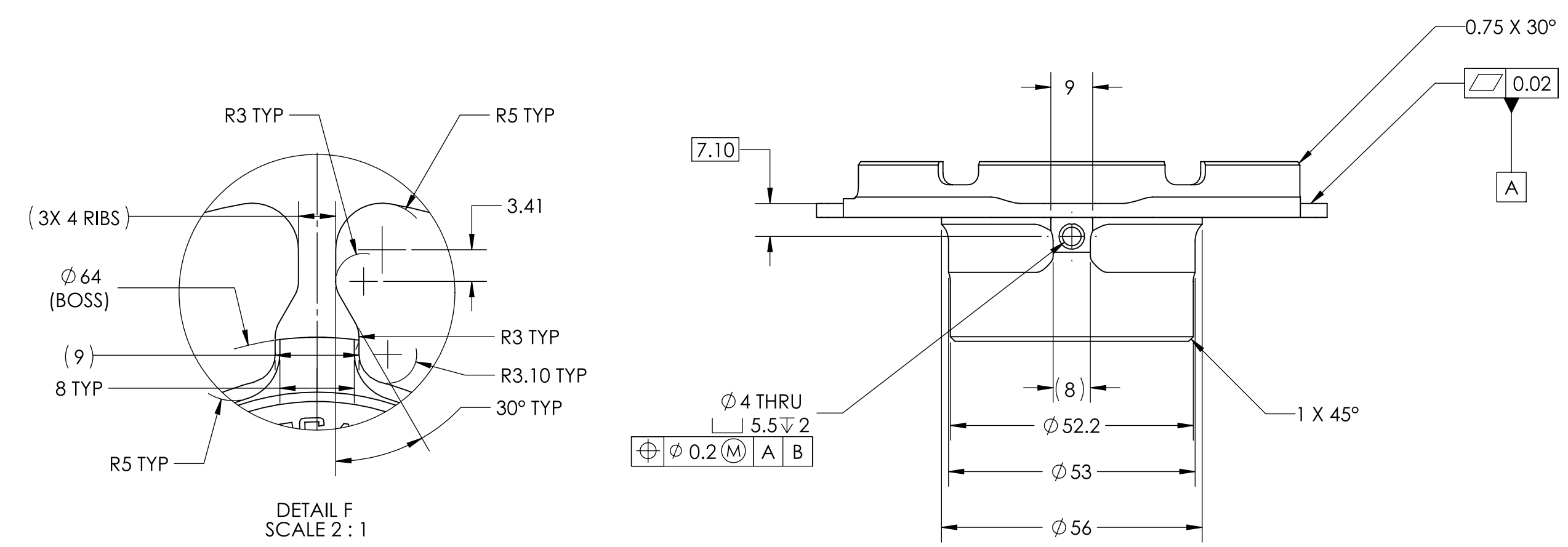


SAMPLE

REV #	DATE	REVISION DESCRIPTION	ZONE	RESP
1			N/A	KW
2			N/A	MC
3			A3	MC
4			A6	MC

SAMPLE



- NOTES:
1. FINE BEAD BLAST USING .xxx SIZE 13 BEADS (US SCREEN SIZE xxx), 100% COVERAGE.
 2. xxxxxxxxxxxxxxxxxxxx
 3. RACKING POINTS FOR ANODIZING ALLOWED ON THIS SURFACE ONLY.
 4. xxxxxxxxxxxxxxxx
 5. MACHINE ALL UNDIMENSIONED FEATURES TO 3D CAD MODEL

SAMPLE

TITLE		THIRD ANGLE PROJECTION	
UNLESS OTHERWISE SPECIFIED DIMENSIONS ARE IN MM AND PER ANSI Y14.5M-2009.		☉	
TOLERANCES ARE:		UNITS	
NO DECIMALS: ±0.2		mm	
DECIMALS:		SIZE	
.X +/0.1		D	
.XX +/0.05		SCALE	
.XXX +/0.025		1:1	
ANGLES: +/1 DEG		SHEET	
SURFACE FINISH √1.6 SEE NOTES		1 OF 1	

SAMPLE